

## JOB PROPOSAL

Date: \_\_\_\_\_

**DR RENATO F. DE LEMON**

Vice President for Administration and Finance University of  
Rizal System

Sir:

In connection with the activities at the URS Antipolo Campus and with full understanding of the scope of the activities described below, we (I) quote our price for labor only in the amount of: \_\_\_\_\_

NAME OF PROJECT: URSAC NEW BUILDING POWER SUPPLY SCOPE OF WORK:

1. Materials Inspection
2. Assembly of 30 units wire spool support
3. Testing if wires and tapping point
4. Excavation and lay of concrete
5. Fabrication of 2 units Wire post
6. Preparation of signed and sealed electrical plan of URS Antipolo new building 150AT main
7. Preparation of Manpower for the Installation of Wires from Electrical room to the new building
8. Installation of 2 units wire post
9. Installation of 30 units of wire spool from new building to Electrical room
10. Installation of Main wire to main panel board 150AT
11. Installation of ECB 150AT at Electrical Room
12. Supervision of Professional Electrical Engineer
13. Supervision of Registered Master Electrician
14. Conduct Insulation Resistance of Wiring panel and Devices
15. Conduct Result of Testing and Recommendation

There is no employer/employee relationship between the University and the contractor and the University shall not answerable to any damage or injury to workers and materials.

We (I) propose to complete the above activities within 50 \_\_\_\_\_ days from the

\_\_\_\_\_  
Bidders Name and Signature

Note: Actual inspection in the area of the project is required

**Project Title: URSAC NEW BUILDING POWER SUPPLY**

**Location: Antipolo City Rizal**

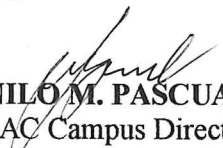
**Subject: Scope of Works**

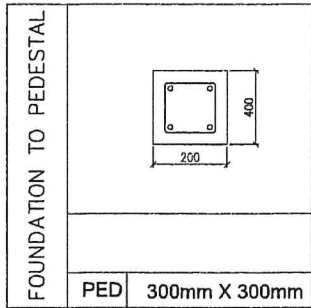
<b>Electrical and Civil Works</b>
1. Material Inspection
2. Assembly of 30 units wire spool
3. Testing of wires and tapping point
4. Excavation and lay of concrete
5. Fabrication of 2 units Wire post
6. Preparation of signed and sealed electrical plan of URS Antipolo new building 150AT main
7. Preparation of Manpower for the Installation of Wires from Electrical room to the new building
8. Installation of 2 units wire post
9. Installation of 30 units of wire spool from new building to Electrical room
10. Installation of Main wire to main panel board 150AT
11. Installation of ECB 150AT at Electrical Room
12. Supervision of Professional Electrical Engineer
13. Supervision of Registered Master Electrician
14. Conduct Insulation Resistance of Wiring panel and Devices
15. Conduct Result of Testing and Recommendation

Prepared by:

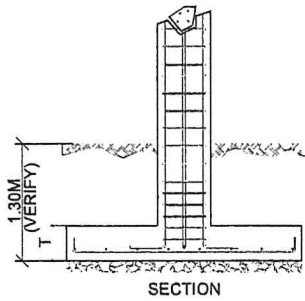
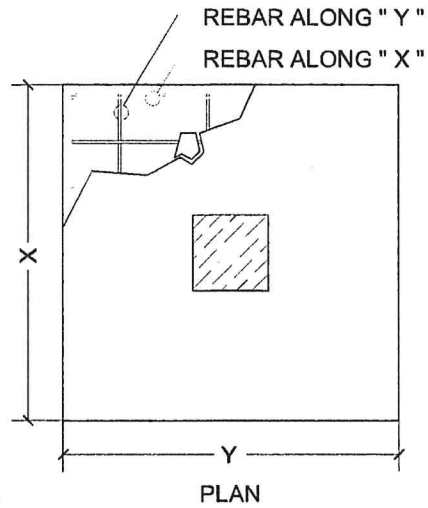
  
**JANE FRANCES MARANION**  
URSAC GSO

Noted:

  
**DANILO M. PASCUAL, Ed.D**  
URSAC Campus Director



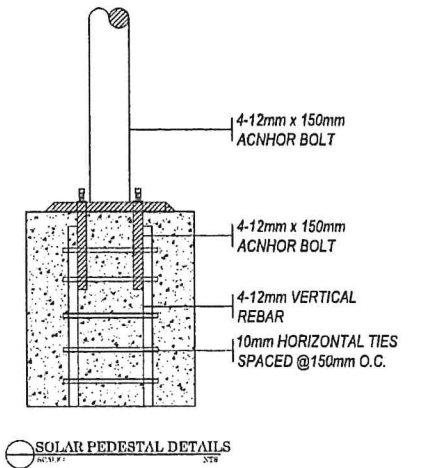
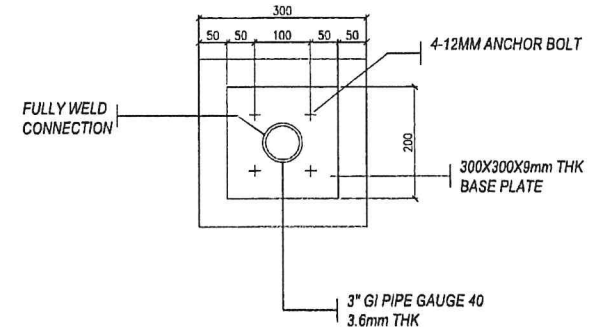
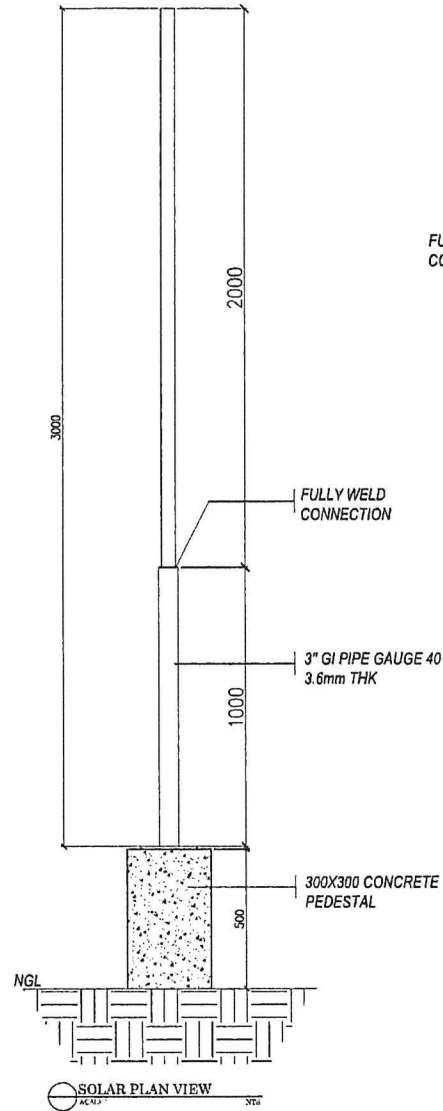
COLUMN SCHEDULE  
SCALE: NTS



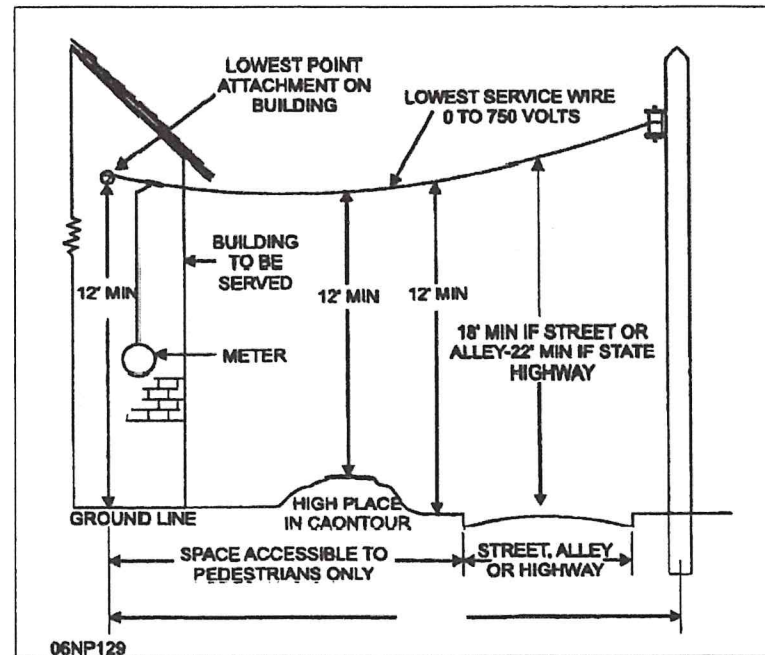
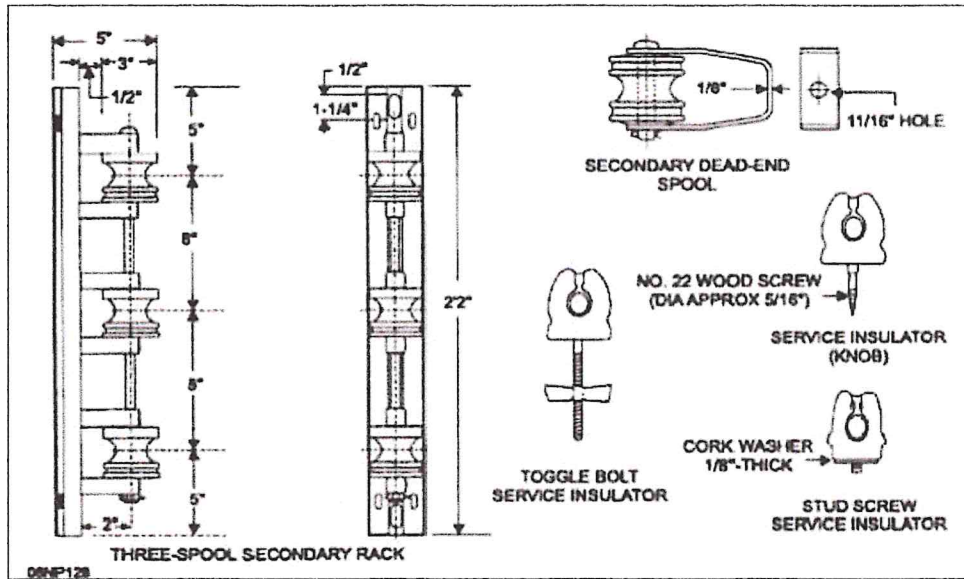
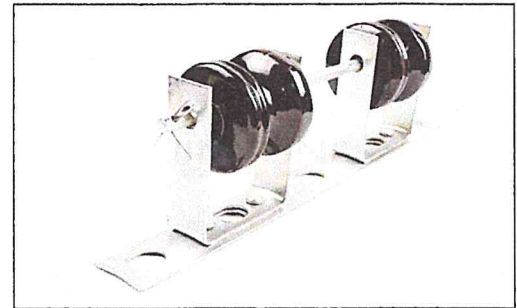
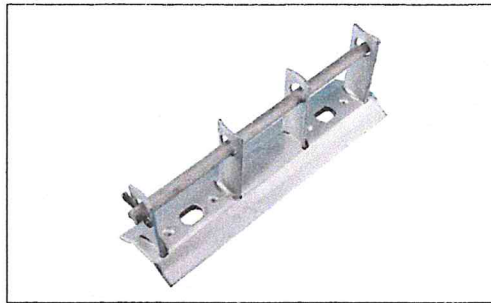
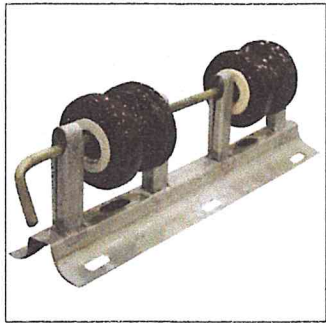
FOUNDATION PLAN DETAIL

MARK	DIMENSION (mm)			REINFORCEMENT	
	X	Y	T	ALONG - 'X'	ALONG - 'Y'
F-1	600	600	250	4 - 12MMØ	4 - 12MMØ

FOUNDATION SCHEDULE  
SCALE: NTS



DESIGNER	CIVIL/STRUCTURAL ENGINEER	NOTED	PROJECT TITLE	CADD BY	DATE	SHEET CONTENTS	<b>S-1</b>						
			(10 ft / 3) meters 2 UNITS WIRE POST DETAILS	APA				PROJECT NO.					
	<table border="1"> <tr> <td>PIR</td> <td>REG. NO.</td> </tr> <tr> <td>DATE</td> <td>DATE</td> </tr> <tr> <td>CLASS</td> <td>TIN</td> </tr> </table>	PIR	REG. NO.	DATE	DATE	CLASS	TIN		LOCATION	APPROVED BY:	DATE	GENERAL NOTES	<small>All dimensions are in metric units. Use the metric system. If any dimension given are to be taken in preference to calling, all dimensions are to be immediately reported to the engineer/s or designer.</small>
PIR	REG. NO.												
DATE	DATE												
CLASS	TIN												
			UNIVERSITY OF RIZAL SYSTEM ANTIPOLO CITY	APA									
			UNIVERSITY OF RIZAL SYSTEM ANTIPOLO CITY			CLIENT/OWNER							



DESIGNER	CIVIL/STRUCTURAL ENGINEER	NOTED	PROJECT TITLE	CADD BY	DATE	SHEET CONTENTS	<b>S-1</b>
			30 UNITS SECONDARY RACK WIRE SPOOL DETAILS	APA			
			UNIVERSITY OF RIZAL SYSTEM ANTIPOLO CITY	APPROVED BY:	DATE	GENERAL NOTES	PROJECT NO.
	PTH _____ REG. NO. _____ DATE _____ PLACE _____ TN _____			APA		All dimensions are to be verified on site by contractor. Elected dimensions shown are to be taken in reference to existing. All discrepancies are to be immediately reported to the engineer of design.	