



Republic of the Philippines  
**UNIVERSITY OF RIZAL SYSTEM**  
 Province of Rizal

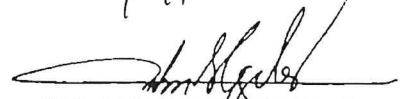
Tel/Fax 653-2860  
 urs.bacsecretariat2020@gmail.com

Date : 8/17/22

Company/Supplier Name : \_\_\_\_\_

Address : \_\_\_\_\_

Please quote your lowest price on the item/s listed below, subject to the General Conditions on the last page, stating the shortest time of delivery and submit your sealed quotation duly signed by your representative not later than 8/24/22 to URS SPMO, Morong Rizal.

  
**NELSON S. GONZALES, Ed. D.**  
 Chairperson, BAC

- NOTE: 1. ALL ENTRIES MUST BE TYPEWRITTEN  
 2. DELIVERY PERIOD WITHIN \_\_\_\_ CALENDAR DAYS  
 3. WARRANTY SHALL BE FOR A PERIOD OF SIX (6) MONTHS FOR SUPPLIES & MATERIALS, ONE (1) YEAR FOR EQUIPMENT, FROM DATE OF ACCEPTANCE BY THE ENTITY  
 4. PRICE VALIDITY SHALL BE FOR A PERIOD OF 45 CALENDAR DAYS  
 5. G-EPS REGISTRATION CERTIFICATE SHALL BE ATTACHED UPON SUBMISSION OF THE QUOTATION  
 6. BIDDERS SHALL SUBMIT ORIGINAL BROCHURES SHOWING CERTIFICATIONS OF THE PRODUCT BEING OFFERED

ITEM NO.	ITEM & DESCRIPTION	QTY.	UNIT	BID PRICE	TOTAL BID PRICE
1	P150100FG (H150*W100cm) Half Glass Partition	5	panel(s)		
2	P120100FG (H120xW100cm) Half Glass Partition	2	panel(s)		
3	P120125FG (H120xW120cm) Half Glass Partition	3	panel(s)		
4	P12080FG (H120xW80cm) Half Glass Partition	8	panel(s)		
5	P12090FG (H120xW90cm) Half Glass Partition	9	panel(s)		
6	Stabilizer	3	unit(s)		
	***nothing follows***				
	-				
	ABC - Php 276,461.00				
	-				

Brand and Model : \_\_\_\_\_  
 Warranty : \_\_\_\_\_

Delivery Period : \_\_\_\_\_  
 Price Validity : \_\_\_\_\_

After having carefully read and accepted your General Condition, I/We quote you on the items at prices noted above.

**CERTIFICATION**

I hereby certify that I have personally conducted this canvass and that the price(s) quoted is/are true & correct and the signature of the representative of the company who submitted the quotation(s) is/are genuine.

Printed at PhilGAPS  
 \_\_\_\_\_  
 Printed Name & Signature of Authorized Canvasser

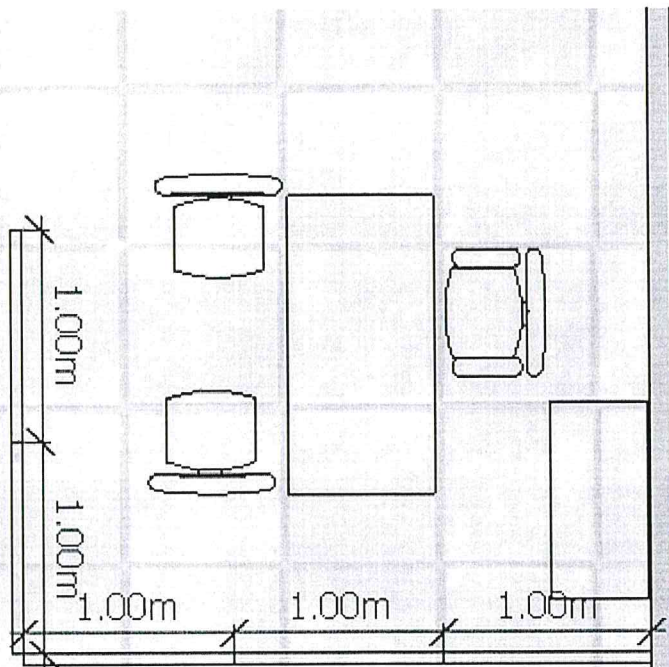
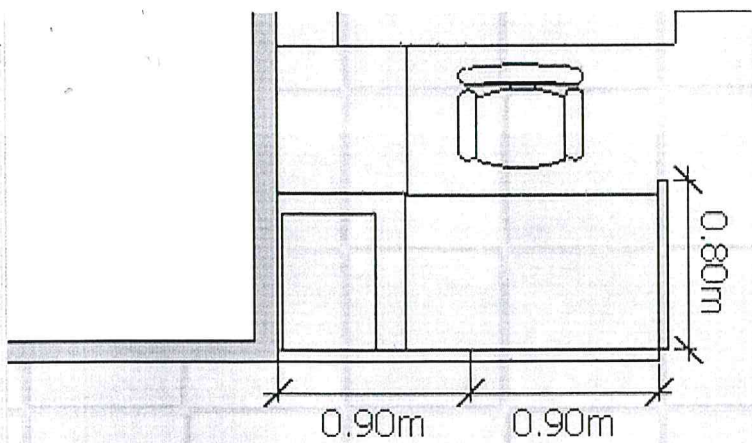
\_\_\_\_\_  
 Printed Name / Signature

\_\_\_\_\_  
 Tel. No. / Cell phone No.

\_\_\_\_\_  
 E-mail address

\_\_\_\_\_  
 Date

\_\_\_\_\_  
 Tin Number



# CASHIER'S OFFICE

