

BILL OF QUANTITIES

UNIVERSITY OF RIZAL SYSTEM

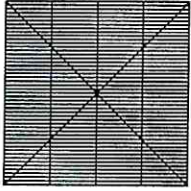
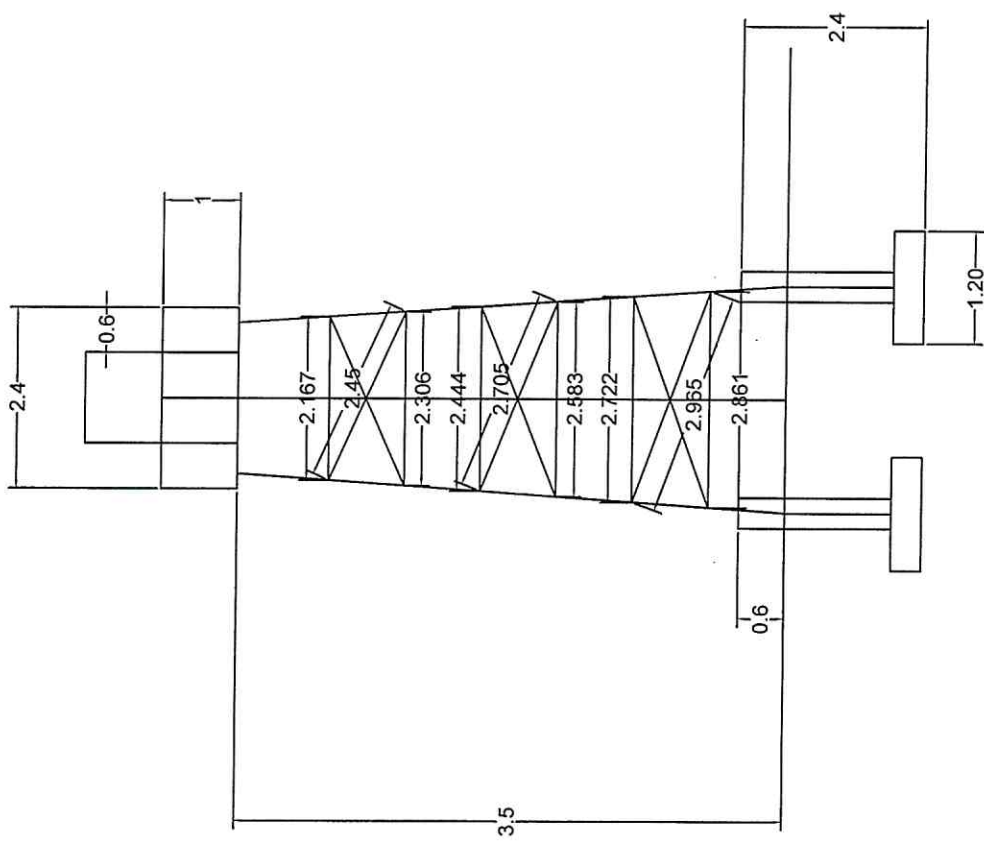
(Agency)

Project Title: Propose Improvement of Water System

Work Duration: 90 Calendar Days

Location: URS Cardona Campus, Cardona Rizal

Unit	Item Description	Quantity	Unit Cost	Total Cost
<i>lot</i>	<i>MOBILIZATION</i>	<i>1</i>		<i>P</i>
<i>cu.m</i>	<i>EART WORK</i>	<i>22.3</i>		
	<i>STEEL WORKS</i>			
<i>pcs</i>	<i>GI pipe #3 Sched 40</i>	<i>6</i>		
<i>pcs</i>	<i>GI pipe # 1 1/4 Sched 40</i>	<i>32</i>		
<i>pcs</i>	<i>16mm DSB</i>	<i>22</i>		
<i>pcs</i>	<i>Steel Matting</i>	<i>4</i>		
<i>pcs</i>	<i>Angle bar 1/4 x 2x2x20'</i>	<i>15</i>		
<i>kg</i>	<i>Welding rod</i>	<i>35</i>		
<i>pcs</i>	<i>Grindingdisc#4</i>	<i>3</i>		
<i>pcs</i>	<i>Cutting disc #14</i>	<i>4</i>		
<i>pcs</i>	<i>Sag rod 12mm dia smooth bar</i>	<i>15</i>		
	<i>PAINTING WORKS</i>			
<i>gal</i>	<i>QDE</i>	<i>4</i>		
<i>gal</i>	<i>Epoxy primer</i>	<i>5</i>		
<i>gal</i>	<i>Paint thinner</i>	<i>2</i>		
<i>pcs</i>	<i>Paint brush # 3</i>	<i>2</i>		
<i>pcs</i>	<i>Paint brush # 1</i>	<i>2</i>		
<i>set</i>	<i>Paint roller w/ pan</i>	<i>3</i>		
<i>kg</i>	<i>Rags</i>	<i>2</i>		
	<i>MASONRY WORKS</i>			
<i>bags</i>	<i>Cement</i>	<i>50</i>		
<i>cu.m.</i>	<i>W. Sand</i>	<i>3</i>		
<i>cu.m.</i>	<i>Gravel 3/4</i>	<i>3</i>		
<i>pcs</i>	<i>10mm DSB</i>	<i>12</i>		
<i>pcs</i>	<i>16mm DSB</i>	<i>26</i>		
<i>pc</i>	<i>Plywood 1/2thk</i>	<i>1</i>		
<i>pcs</i>	<i>Coco lumber 2 x 3 x 10</i>	<i>25</i>		
<i>kg</i>	<i>Cwanail #2</i>	<i>2</i>		
<i>kg</i>	<i>Cwanail #3</i>	<i>1</i>		
<i>kg</i>	<i>GI wire</i>	<i>3</i>		
<i>lot</i>	<i>Project Signboard 8'x8' 70dpi</i>	<i>2</i>		
	<i>*** nothing follows ***</i>			
			<i>Material Cost</i>	
			<i>Labor Cost</i>	
			<i>PROFIT</i>	
			<i>OCM</i>	
			<i>VAT</i>	
TOTAL				345,469.23



Project Title & Location:	Reviewed and Submitted by:	Sheet Content:
PROPOSED CONSTRUCTION OF ELEVATED WATER TANK	<i>[Signature]</i> DR. NELSON S. GONZALES Director, General Services	
Design & Drawn by:	Recommending Approval:	
<i>[Signature]</i> CRISTOPHER N. VIVAS Head, Physical Facilities Repair and Maintenance	<i>[Signature]</i> DR. NANCY T. PASCUAL Vice President for Administration and Finance	
Checked and Certify Construct by:	Approved by:	Sheet No:
<i>[Signature]</i> VON CYRENILLO SAN JOSE, RCE UPFDI, Civil Engineer	<i>[Signature]</i> DR. MARTIN R. CANAPI President	⊖